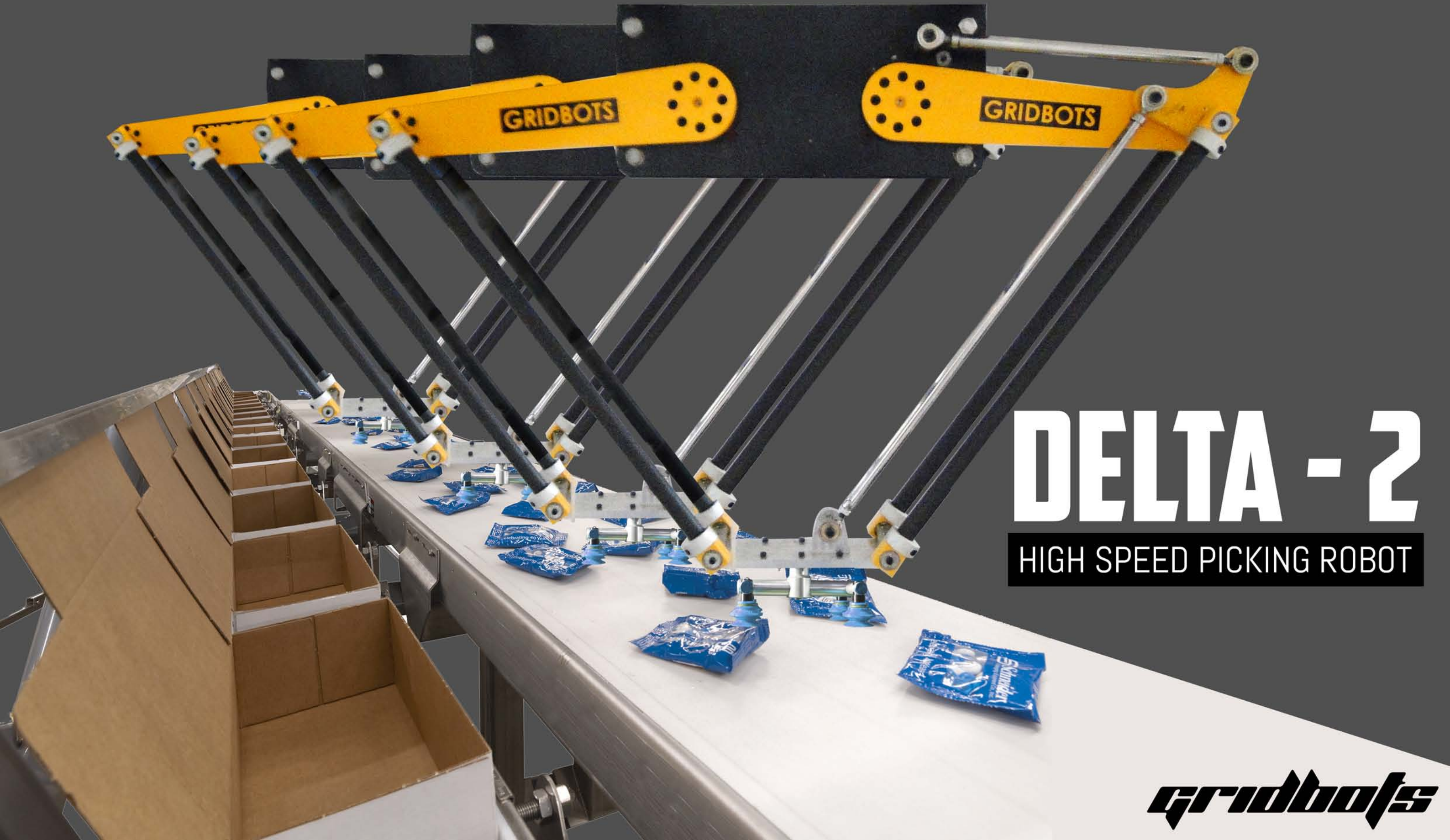


PICK AND PLACE ROBOTIC SOLUTIONS



DELTA - 2
HIGH SPEED PICKING ROBOT

gridbots



ABOUT

Delta-2 is a high speed robot for picking and sorting of items from the conveyor belts.

This system comes with integrated machine vision and multiple gripper options where user can pick any item ranging from 2 mm to 250 inches in size.

The robot has a sturdy built with carbon fiber arms to minimize the moment of inertia of moving parts.

It utilises gridMOVE series of controllers for lower operation power (Under 500 Watts) and precise control.



DELTA - 2 HIGH SPEED PICKING ROBOT



SPECIFICATIONS

Model Number	GB-MH-DLT2
Payload	Upto 5 Kg
Part Size	2 mm to 250 mm
Cycle Time	0.5 Seconds
System Resolution	0.3 mm
Working Area	Hemispherical(Diameter=600 mm/Height=200mm)
Vertical Stroke Resolution	0.1 mm
Vertical Stroke Speed	500 mm/ Sec
System Picking Speed	100 Parts per minute
Power Rating	500 Watts

Upto 100
Parts/Min

Just 500 Watts

Food Grade Ready

Multiple Gripper

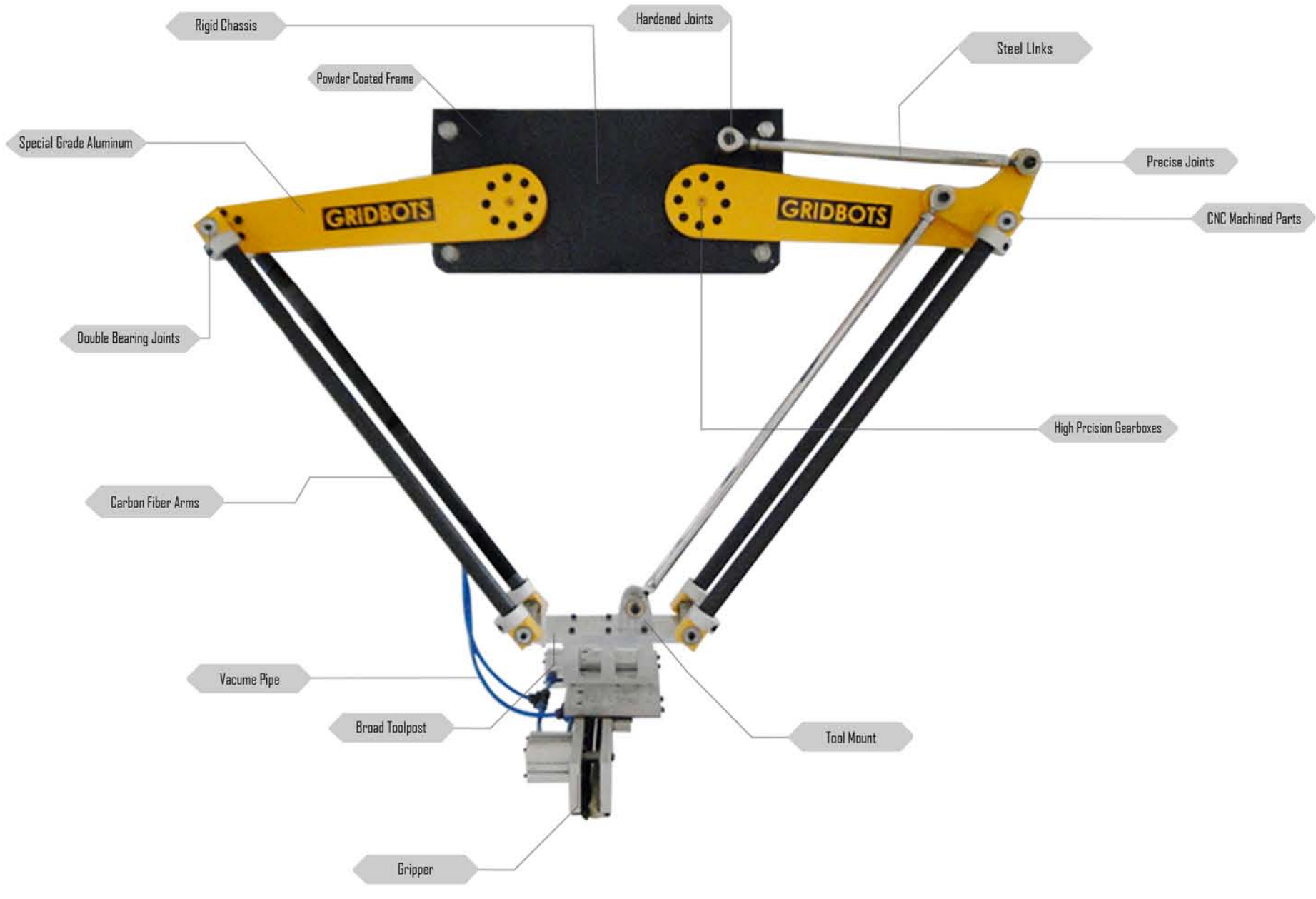
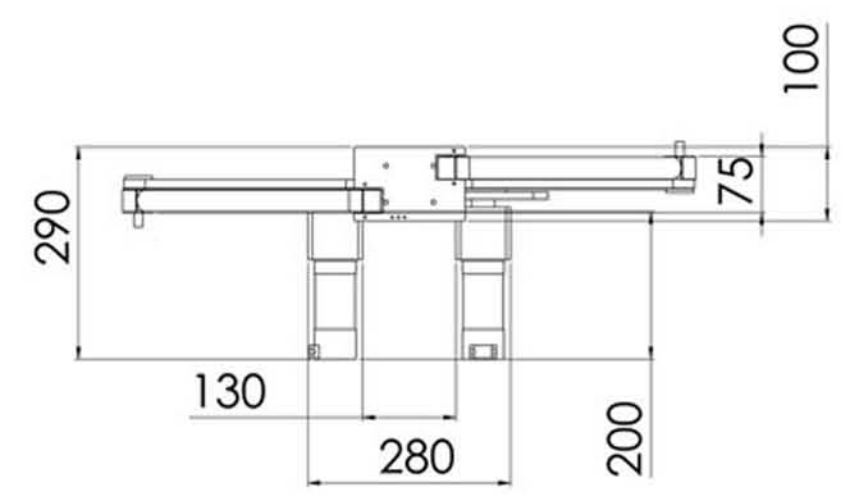
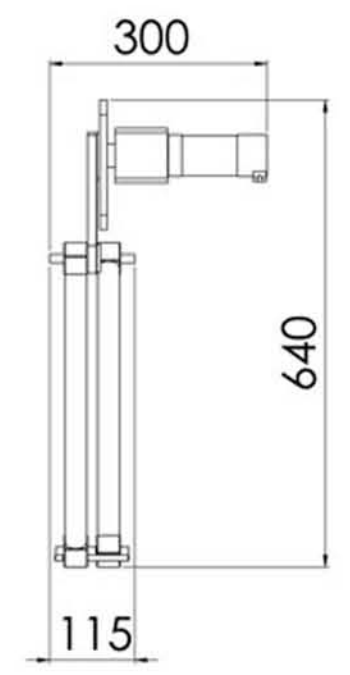
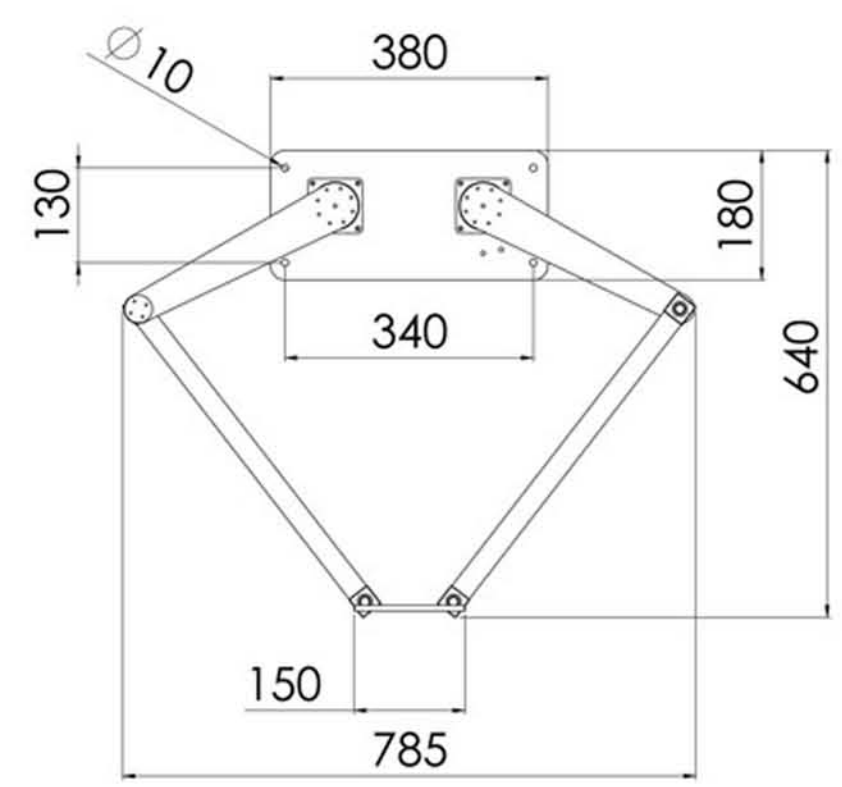
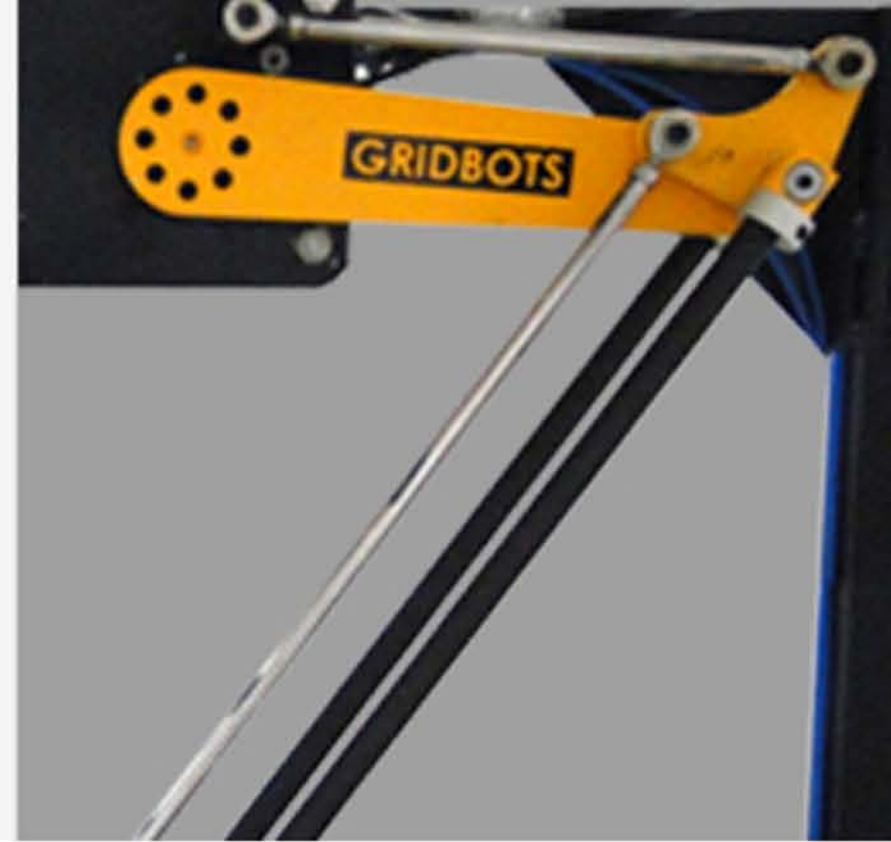
Easy to Install

Robotic Swarm

Integrated Vision

Fast ROI

High Speed





gridbots

Gridbots Technologies Private Limited

Office : #306, Maharana Pratap Complex, Near
V.S. Hospital - Ashram Road, Ahmedabad - 380006.

[M] +91 9924 82 65 84, PH. : 079 - 25620336,

Web : www.gridbots.com