

**GRIDBOTS BOXMATIC**  
AUTOMATIC BOX CLEANING AND INSPECTION SYSTEM



# Gridbots BoxMatic

## AUTOMATIC BOX CLEANING AND INSPECTION SYSTEM

Gridbots BoxMatic is an integrated machine vision and automated solution for online inspection and cleaning of Tube/Bottle Boxes which can inspect each and every item for any foreign material or defect.

The system scan the box in rater manner and looks inside each tube/bottle for any contamination or defect and shows the defect using laser highlighter.

### TECHNICAL SPECIFICATIONS

- |                  |                                  |                |   |
|------------------|----------------------------------|----------------|---|
| - Model Number   | : GB-BOXINSPECT100               | - Data Logging | : Real time defects classification, Logging & Report generation             |
| - Defect Size    | : 100 Microns and above          | - Usability    | : Easy to use and Configure, Remote login and Maintenance, IOT ready system |
| - Defect Type    | : Foreign material- Seal Missing | - Environment  | : Non Clean Room Inspection   |
| - Defect Marking | : Laser Pointer                  |                |   |
| - GUI            | : Intuitive, multi user control  |                |   |

1 Box per Minute Scanning Speed

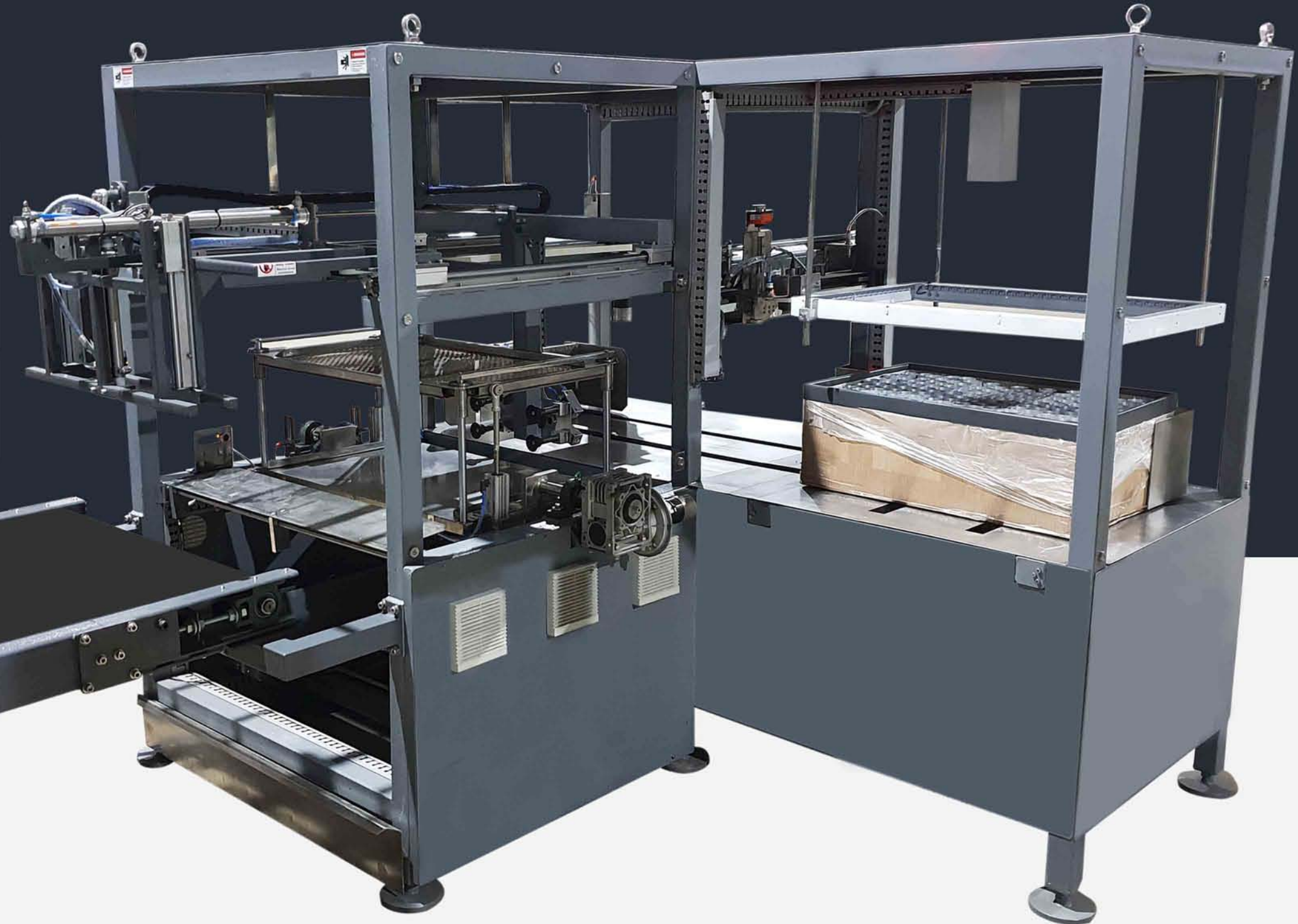
Real Time Defects Pointing for replacement

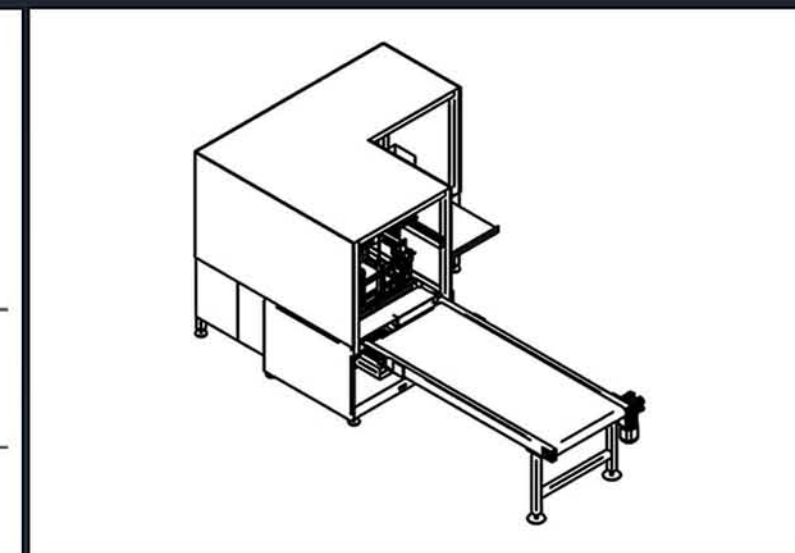
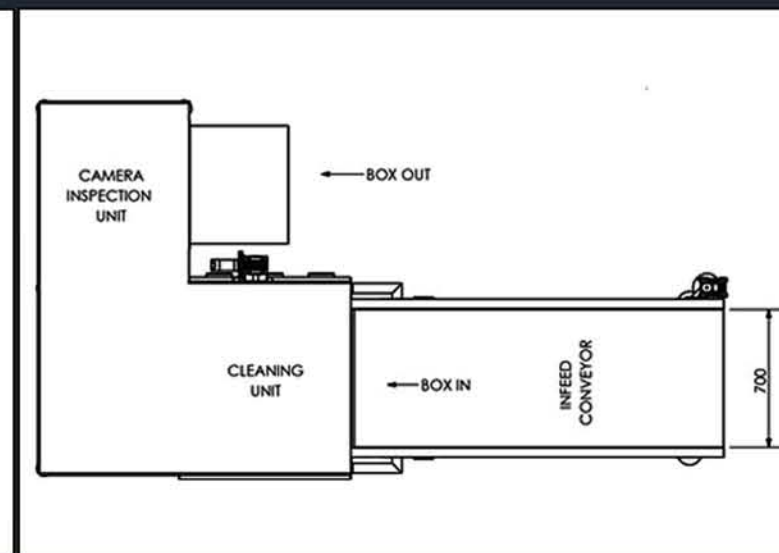
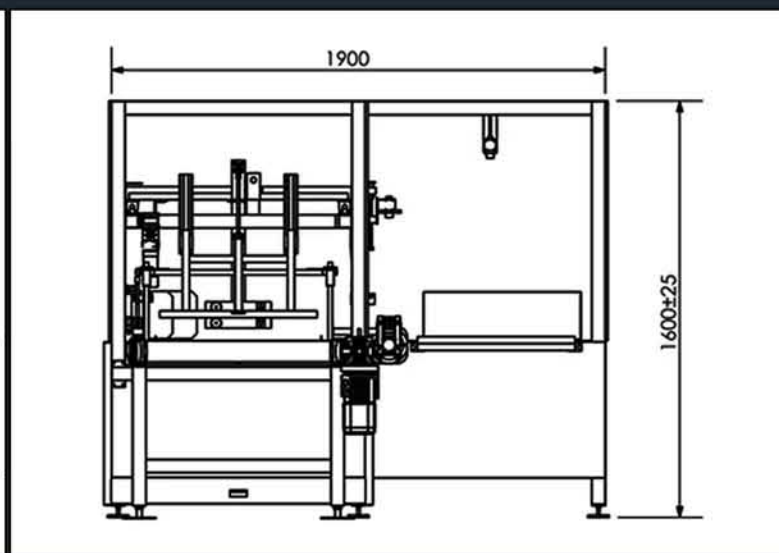
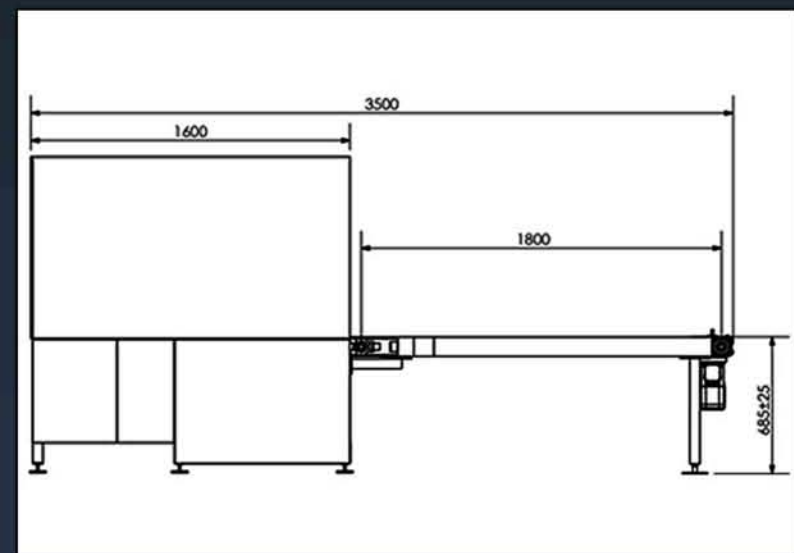
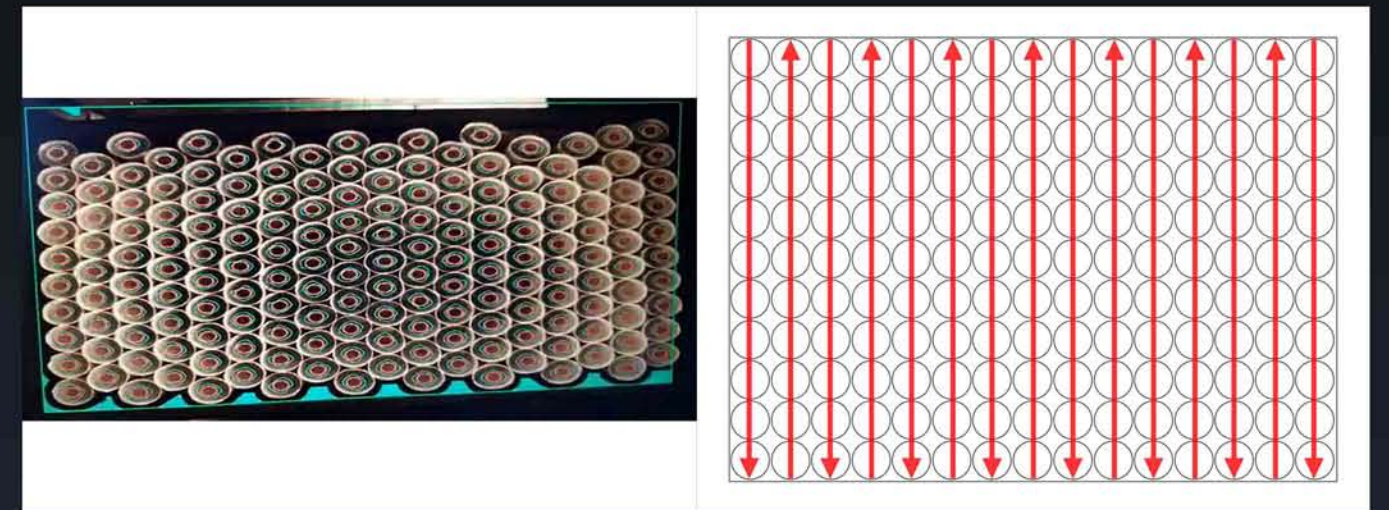
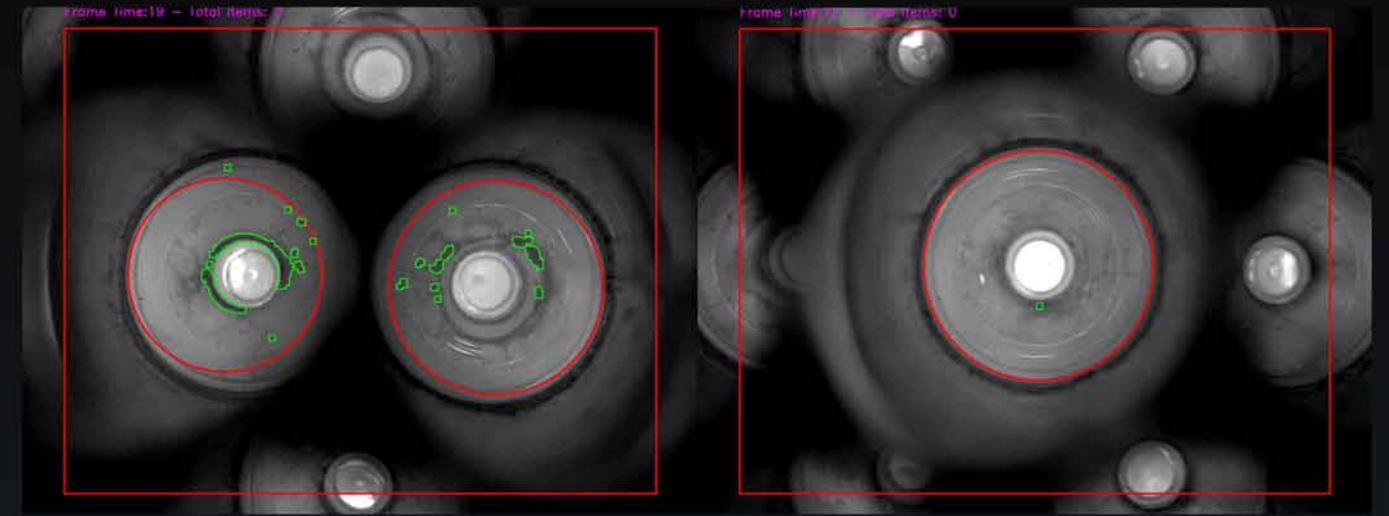
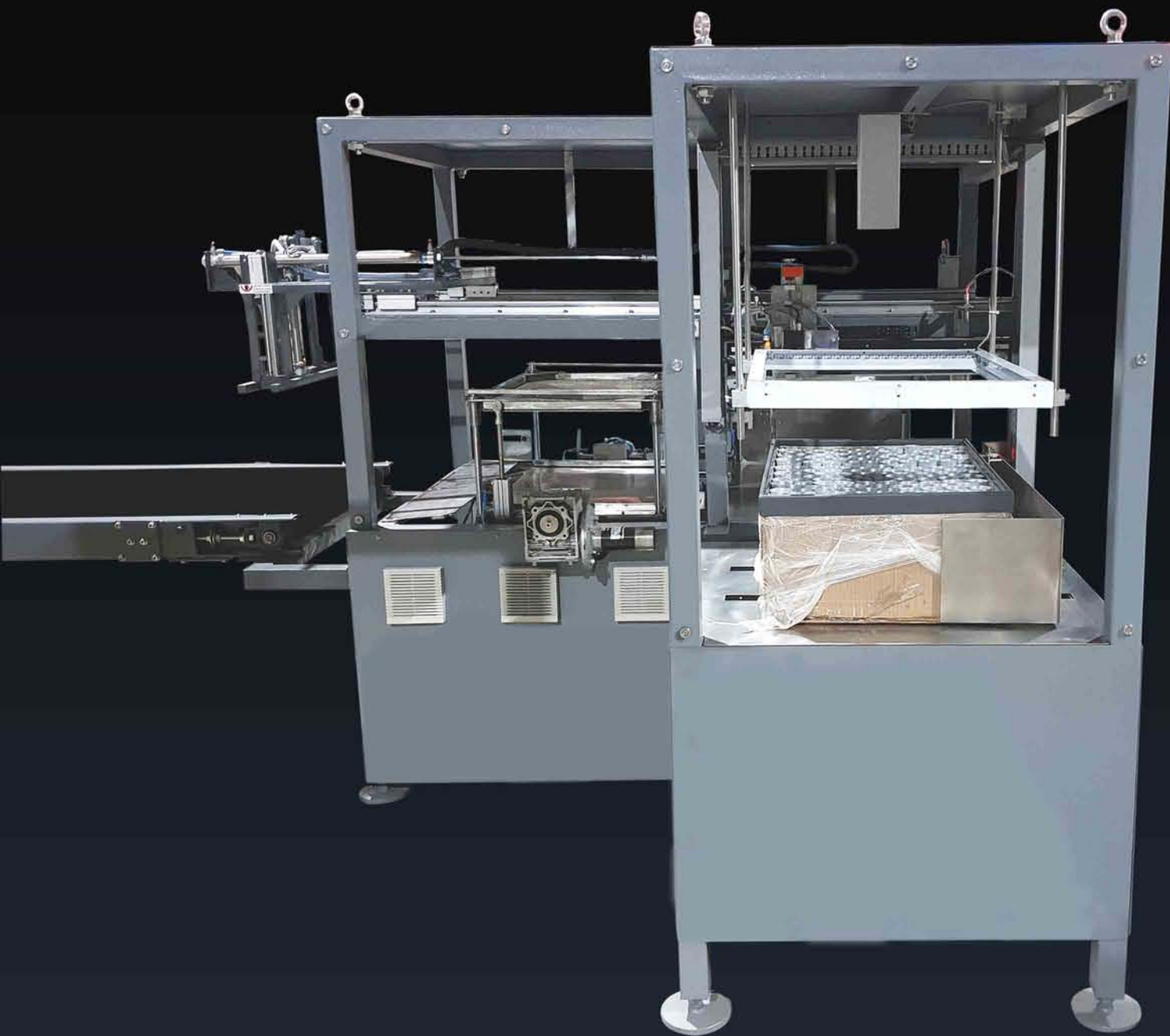
Online Statistics Display

Applicable for all sizes of Boxes

Advanced LED Lighting for cameras

Reliable Defects Detection & Classification





**Gridbots Technologies Private Limited**

Office : 11 - B Panchratna Industrial Estate, Changodar Ahmedabad - 382213. [M] +91 9924 82 65 84, Web : [www.gridbots.com](http://www.gridbots.com).